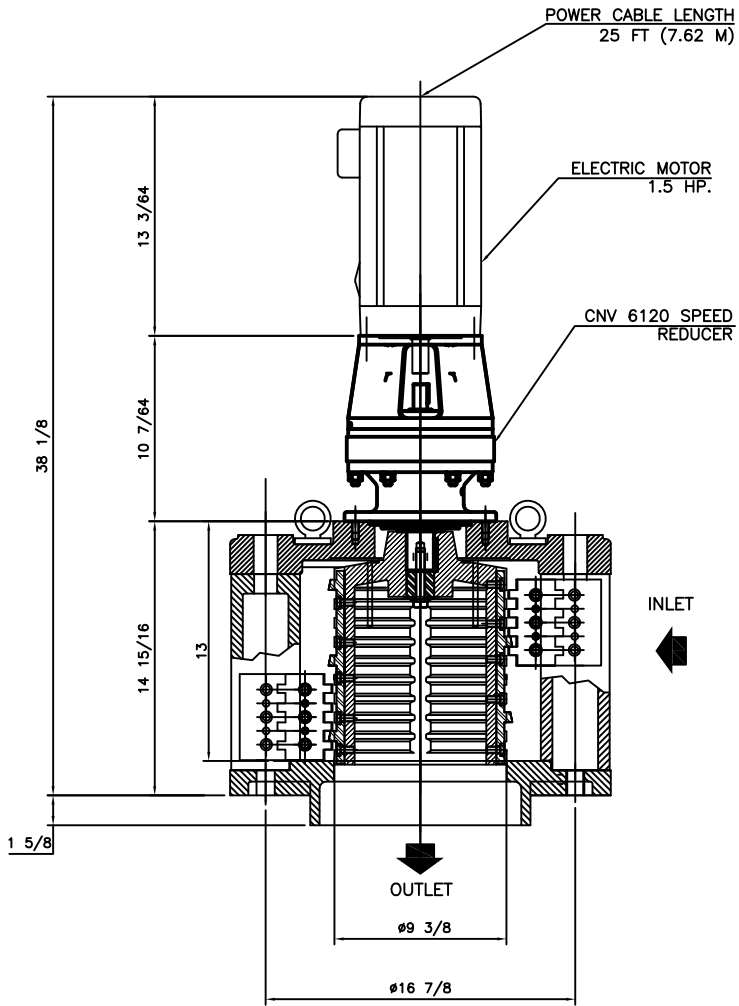


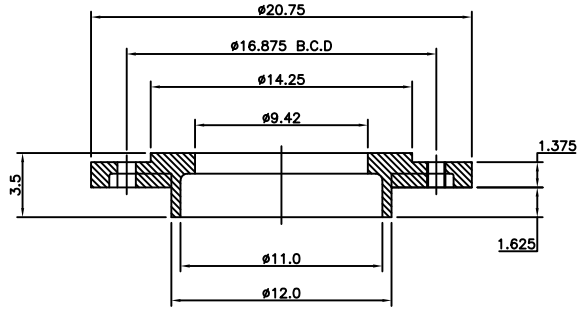
MODEL 10 LS

IMMERSIBLE

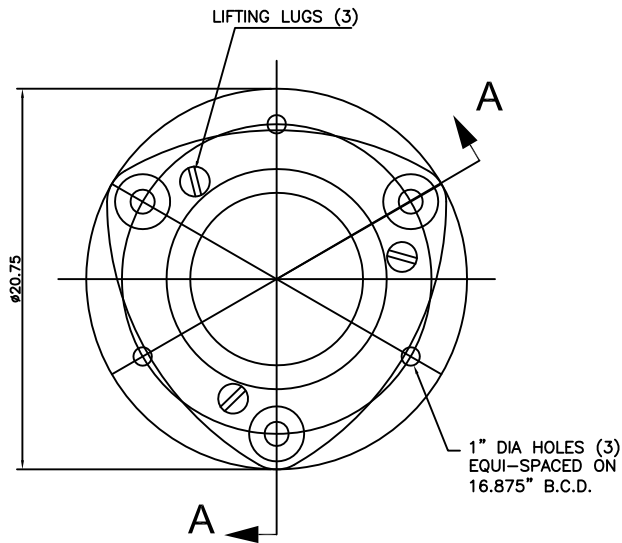
SERIAL No. -



SIDE VIEW



BASE RING DETAIL



TOP VIEW
COVER PLATE

MATERIALS OF CONSTRUCTION & GENERAL ENGINEERING DATA

HOUSING:	GREY IRON	CAPACITY	1.2 MGD (US) / 4500 m3/day	INLET AREA	97 SQ IN	626 cm sq			
DRUM (SCREEN):	DUCTILE IRON (ASTM 536 GRADE 60-45-18)	DRUM SPEED	50 RPM	OUTLET AREA	45 SQ IN	290 cm sq			
SHEAR BARS:	AISI-A2 HIGH ALLOY TOOL STEEL	ROTATION	CLOCKWISE	DRUM DIAMETER	9.4 IN	23.9 cm			
CUTTING BARS:	AISI-01 TOOL STEEL REVERSIBLE	SLOT WIDTH	.470 IN / 12 mm	WEIGHT	450 LB	204 kg			
HARDWARE & FASTENERS:	304 STAINLESS STEEL	No. OF SLOTS	36						
MOTOR MANUFACTURER:	BALDOR	POWER:	- / - / -	RPM:	1750	REDUCER:	SM - CYCLO	MODEL:	V6120 HS
STYLE: IMMERSIBLE	HP: 1.5	KW: 1.12	FRAME: 56C	FLANGE: 'C'	RATIO: 35:1	RATING: 4.27 HP			

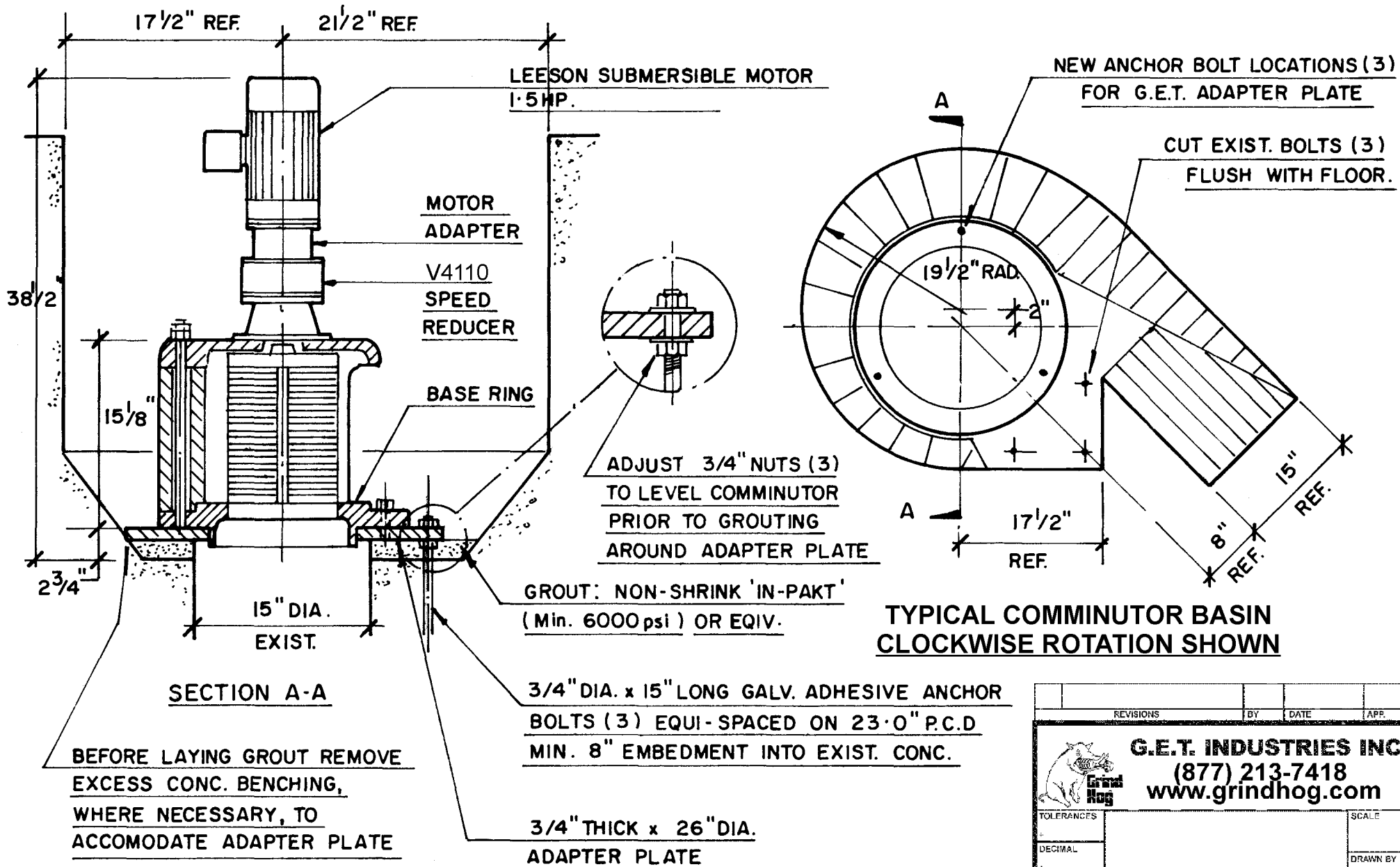


G.E.T. INDUSTRIES INC.
get@grindhog.com
www.grindhog.com
 1 (877) 213-7418

TOLERANCES	INFO	SCALE
DECIMAL		NTS
FRACTIONAL		DRAWN BY
ANGULAR		G.P.
DATE	FILE NO.	APPROVED BY
		W.D.M.
	DWG. No.	REV.
	6 0180	

Grind Hog MODEL 10LS (CAPACITY: 1.2 USMGD)

REPLACEMENT OF CHICAGO PUMP MODEL 15C



- 10L - TEFC
- 10LS - Immersible
- 10LSX - Submersible, Explosion-proof, Continuous-In-Air

REVISIONS		BY	DATE	APP.
TOLERANCES				SCALE
DECIMAL				DRAWN BY
FRACTIONAL				APPROVED BY
ANGULAR				
DATE	PROJECT NO.	DRAWING NO.	REV.	
		9 0030		



G.E.T. INDUSTRIES INC.
(877) 213-7418
www.grindhog.com



RETROFITTING CHICAGO PUMP COMMINUTORS



All models... All installation arrangements





CHICAGO PUMP COMMINUTOR Retrofit Questionnaire



- Model of existing unit
- Existing characteristics of power supply
- Drive arrangement - close coupled, support column - elevated drive
- Photos of current installation
- Desired capacity (gpm) of replacement unit
- Dimensional detail of structure.... (i.e. free discharge or controlled discharge)
- Details of existing Control Panel (if any)
- Distance of the high water mark above the basin floor



G.E.T. Industries Inc.

T: 877-213-7418 / www.grindhog.com